



YOUR USER MANUAL



Come rain or shine  
its fine out with  
ScooterPac.

Take a quick read  
of this manual  
to get the most  
out of your  
folding canopy.



# Contents

- 1 ————— Quick start guide
- 5 ————— Fitting your canopy
- 9 ————— Detailed guide to using your canopy
- 15 ————— How to keep your canopy clean

brighten  
your day

[scooterpac.com](http://scooterpac.com)



# Quick start guide - feature guide 1





## Quick start guide - feature guide 2



Securing plunger

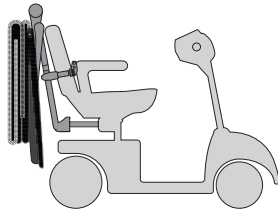
Fixing spigot

Adjustable arms

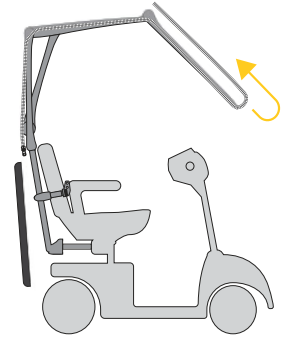


## Quick start guide

First fit  
the canopy to  
your scooter

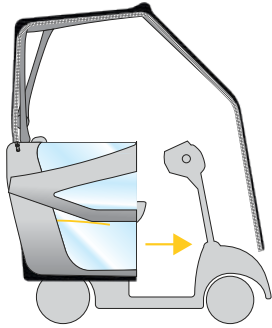


Next fold out  
the frame of  
the canopy

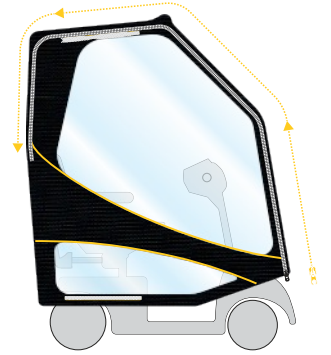


Tip: Get your local dealer to fit the canopy or see page x

Then unfold  
the sides one  
at a time



Lastly zip up  
the sides for  
total protection!





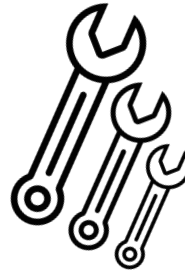
## Fitting the canopy - before you start

You will need;

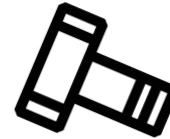
Allen key(s)



Spanner(s)

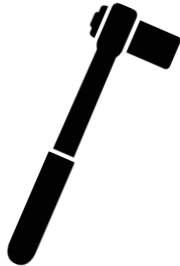


1 x Hand wheel

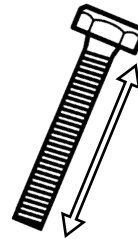


You may need;

Socket wrench



Longer bolts

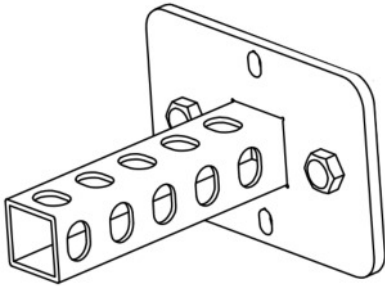


Velcro

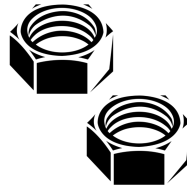


Arrange the fixings

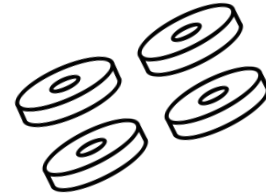
1. Spigot



2. M8 Nyloc nuts X 2



3. M8 washers x 4



4. M6 Hex bolt



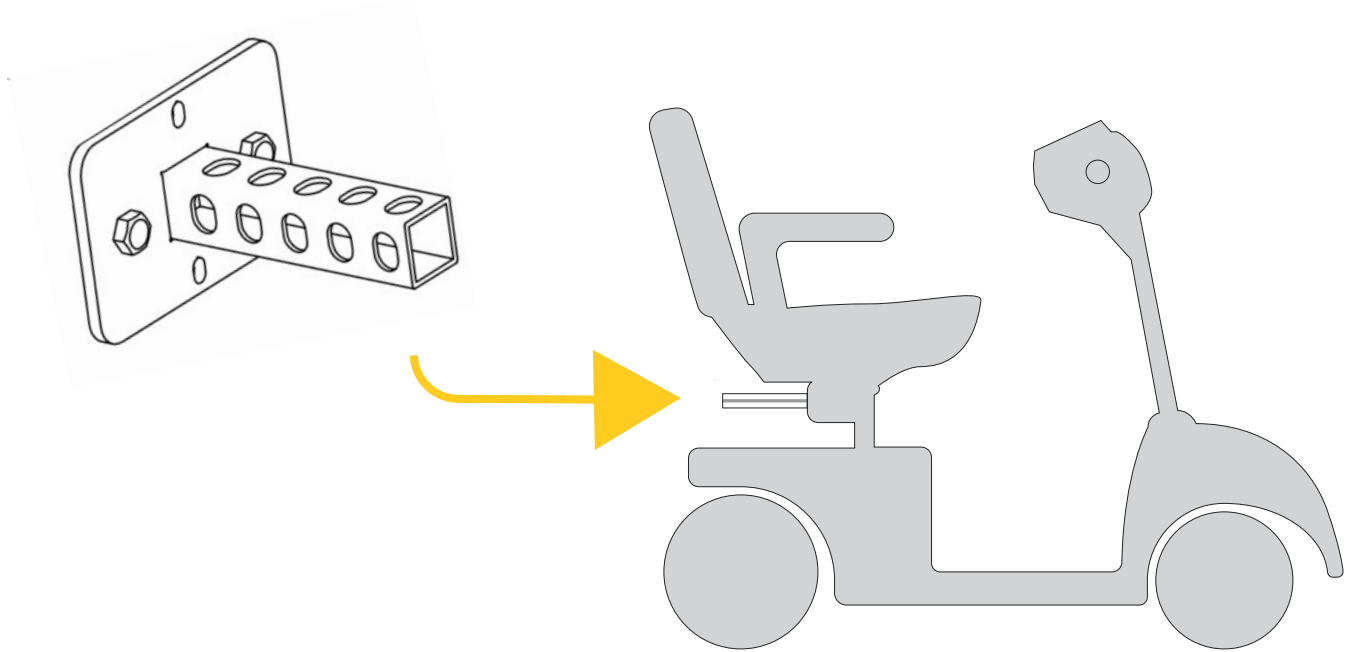
5. M6 Nyloc nut



6. M6 Nylon washer x 2

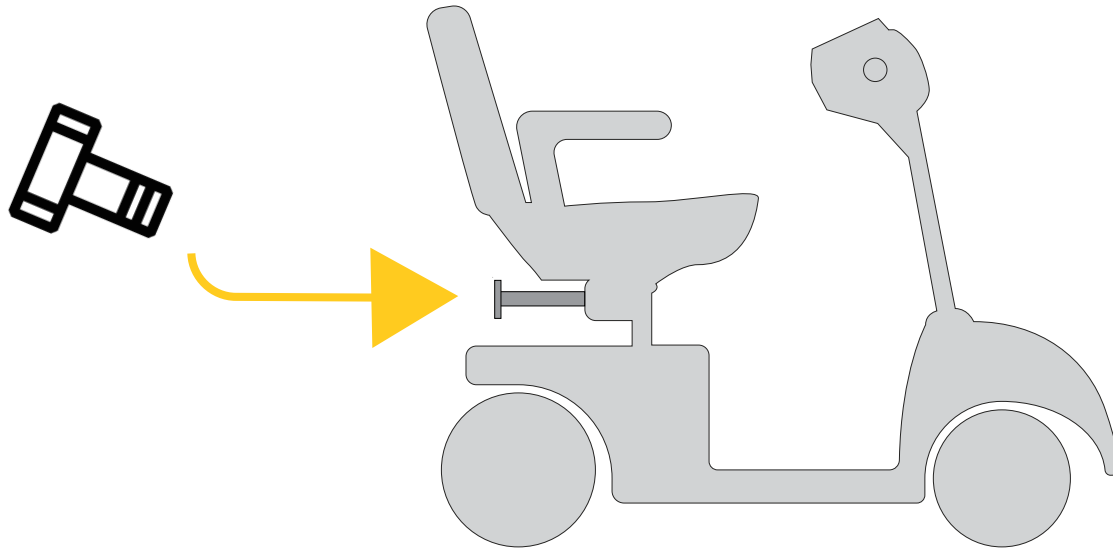


Slot the spigot onto the accessory bar under the scooter seat

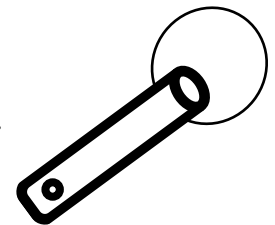


Tip: ensure that your accessory bar is smooth and rust free before fitting

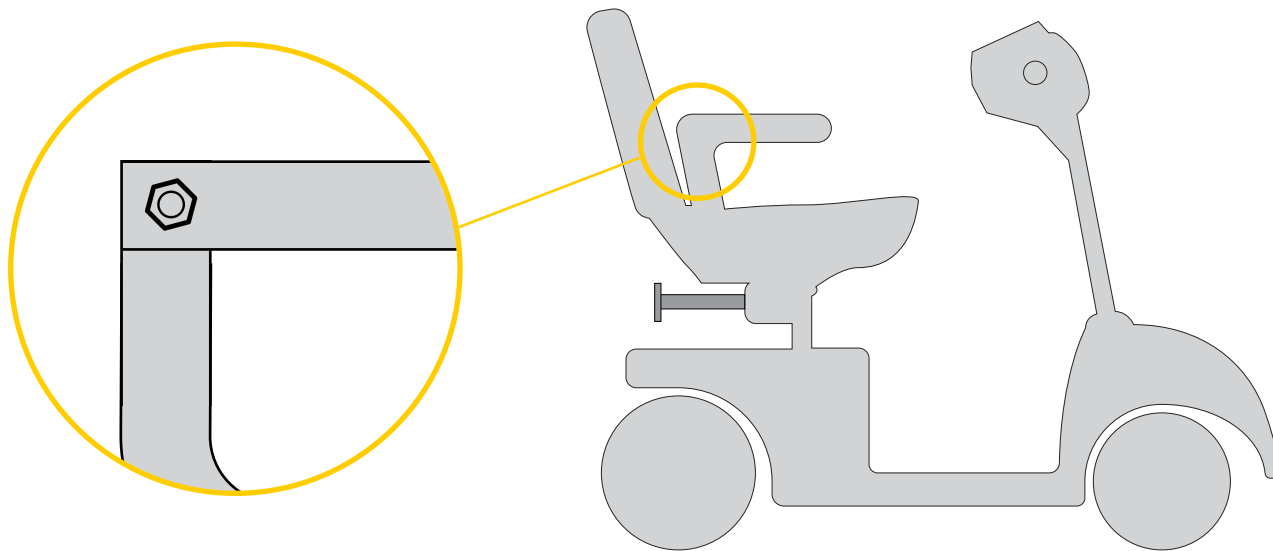
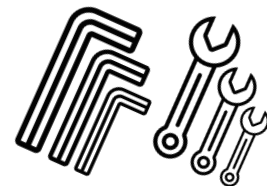
Insert the hand wheel onto the nut on the accessory bar and tighten up



You may need;  
If there is no nut on the accessory bar you may need a ball-pin bolt.  
Call 03301 241733 or your local dealer.

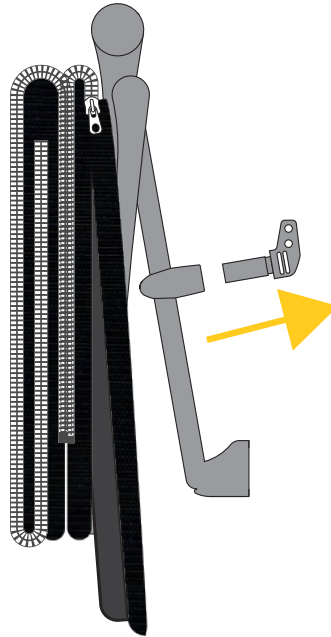


Remove the bolts on the armrests

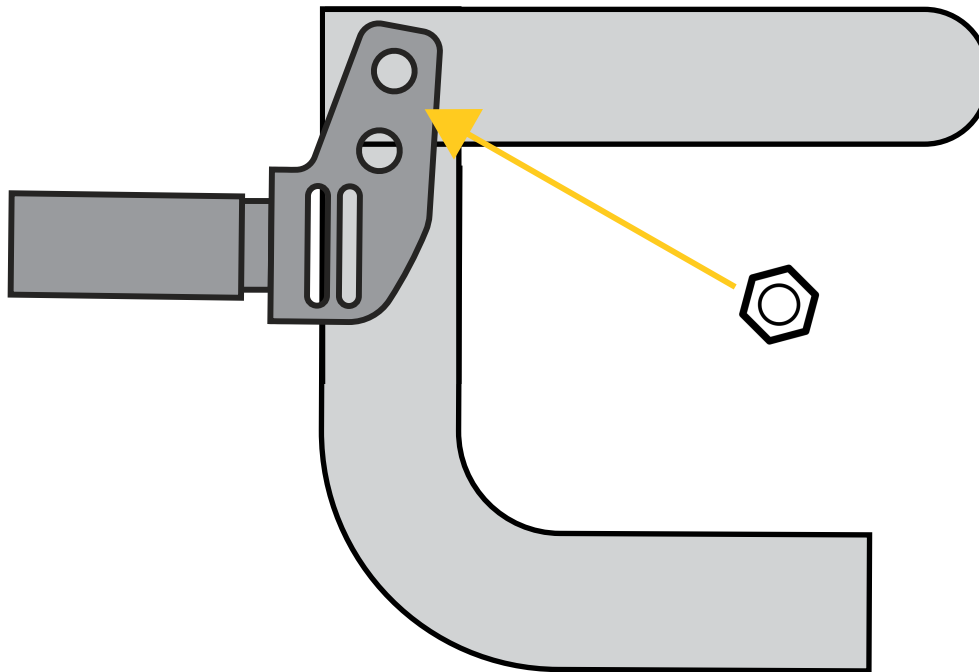
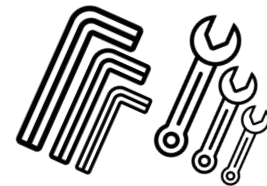


Tip: there may not be bolts on the arm, they may be on the the seat

Next undo the quick-release clips on the adjustable arms of the frame, and take out the bracket.



Now bolt these brackets to the armrests with the bolts you removed earlier. The bracket can be fitted either way around. (You may need slightly longer bolts to do this.) Do not tighten.



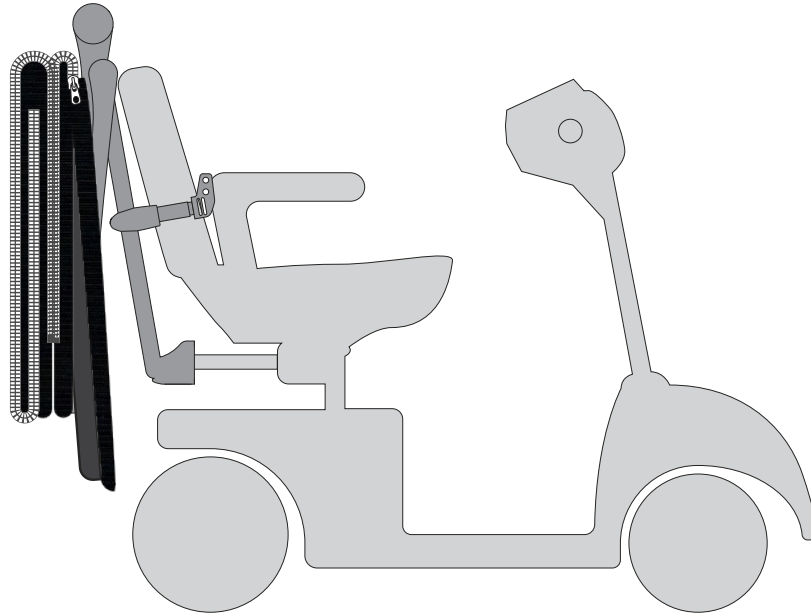
Tip: use the hole in the bracket which orientates it best

Once the brackets and spigot are fitted, simply slide the frame into them. Then tighten the bolts on the armrest.



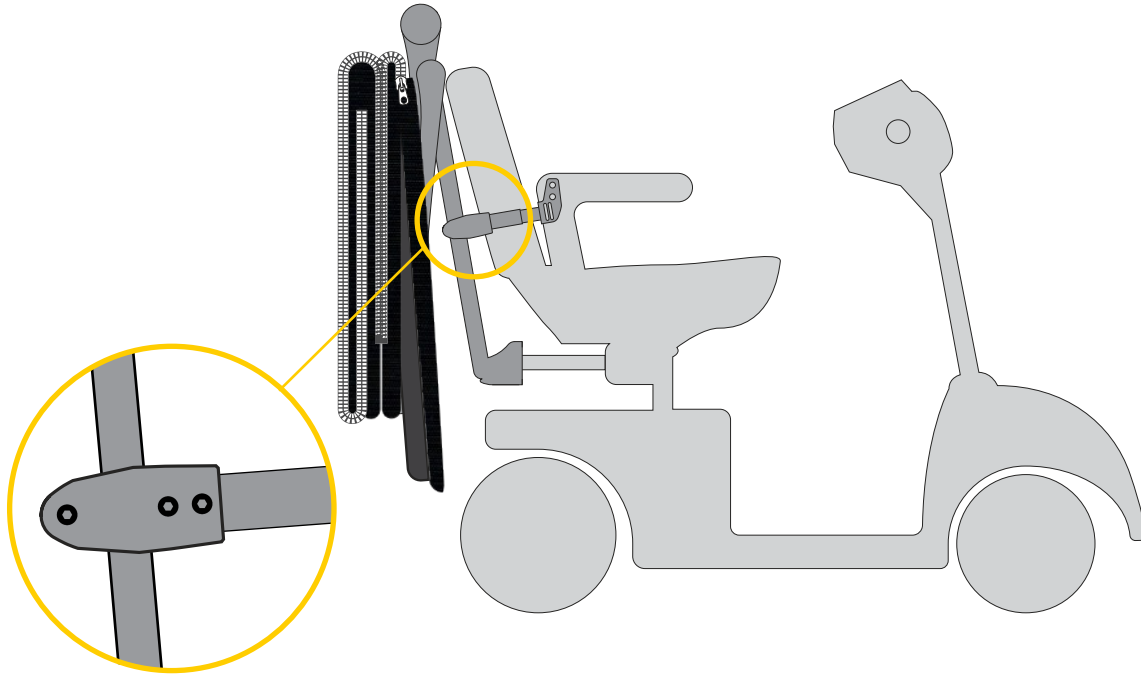
Tip: loosen the arms on the frame so that they slide

Next simply push the frame towards the scooter, and tighten the quick-release clamps then tighten the bolts onto the spigot.

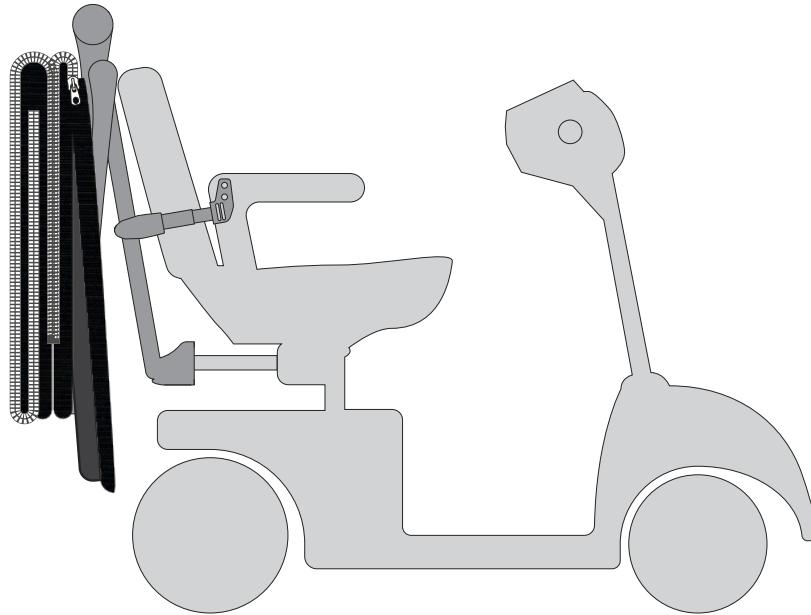


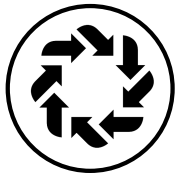
With the smaller bolt put a nylon washer either side of the frame. With the large nuts use the metal washers.

Now tighten the arms of the frame, ensuring that they are level.



The ScooterPac is now ready for use!





## Detailed guide to using your canopy

The ScooterPac folding canopy is as functional as it is beautiful.

To achieve this we included colour coded velcro and super flexible material amongst other innovations to make things simpler when folding your canopy away.

Follow this simple guide to get the most from your ScooterPac.

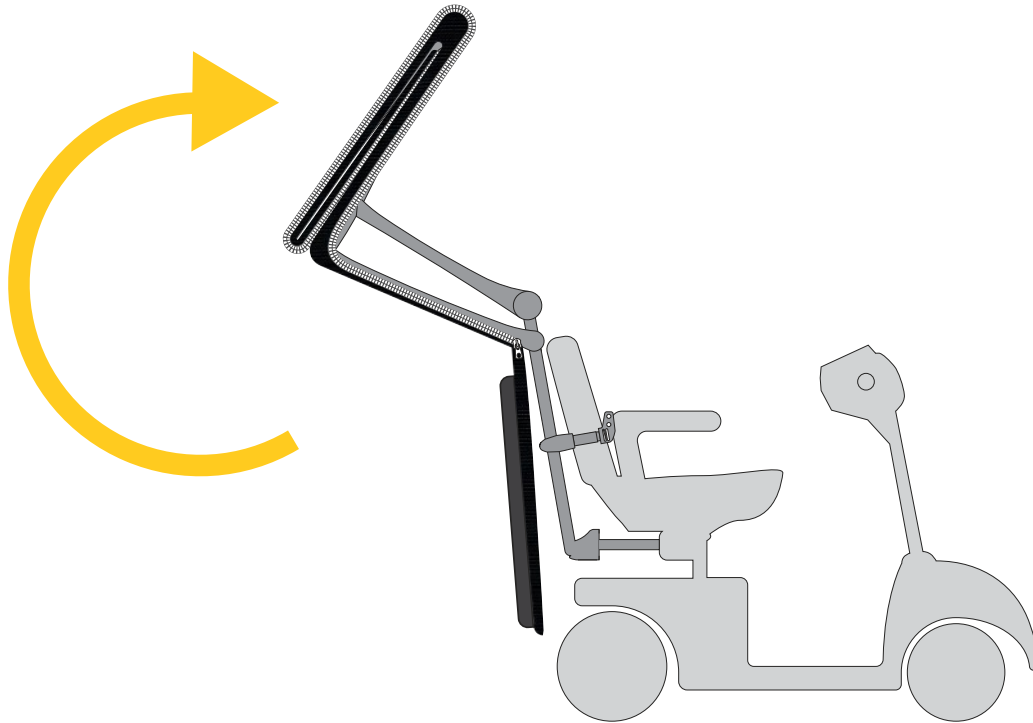
1



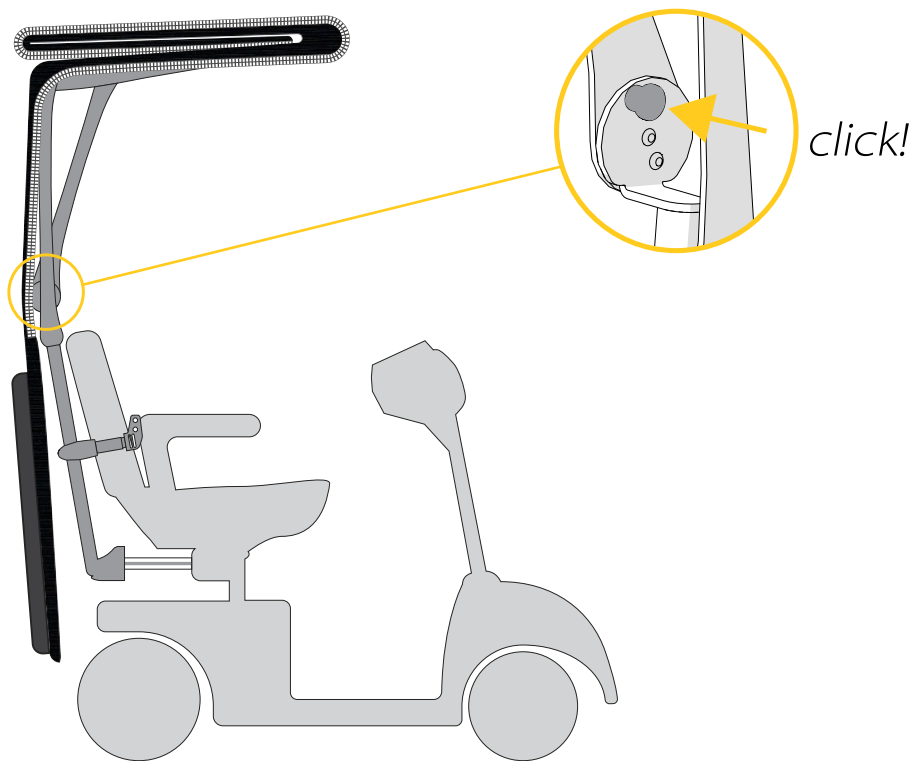
Tip: Refer to page x for parts diagrams

Easiest way to fold out your canopy

Firstly take the main frame and lift it up.



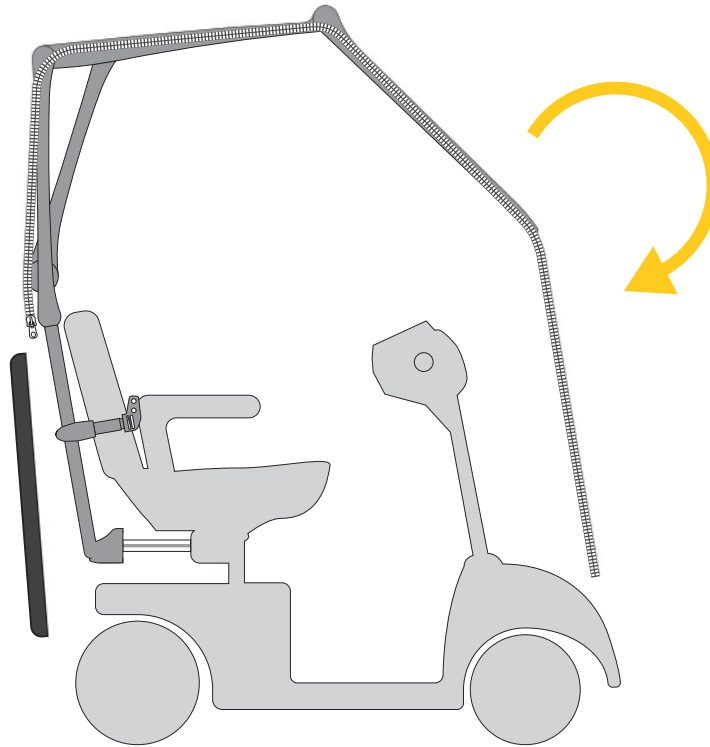
The plunger on the side of the frame will engage.



Next fold the windscreen down

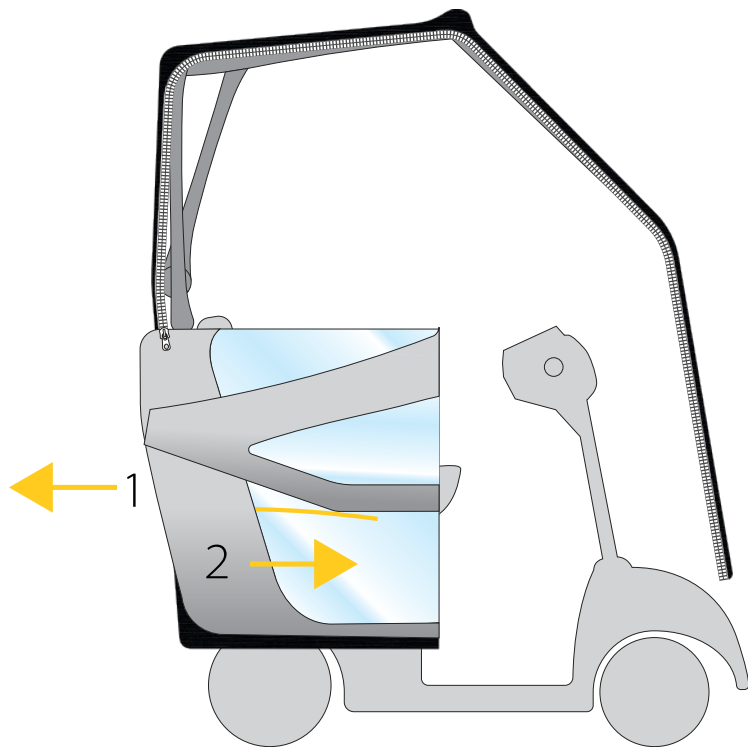


Now the front protection panel can be folded down and attached to the front of the scooter

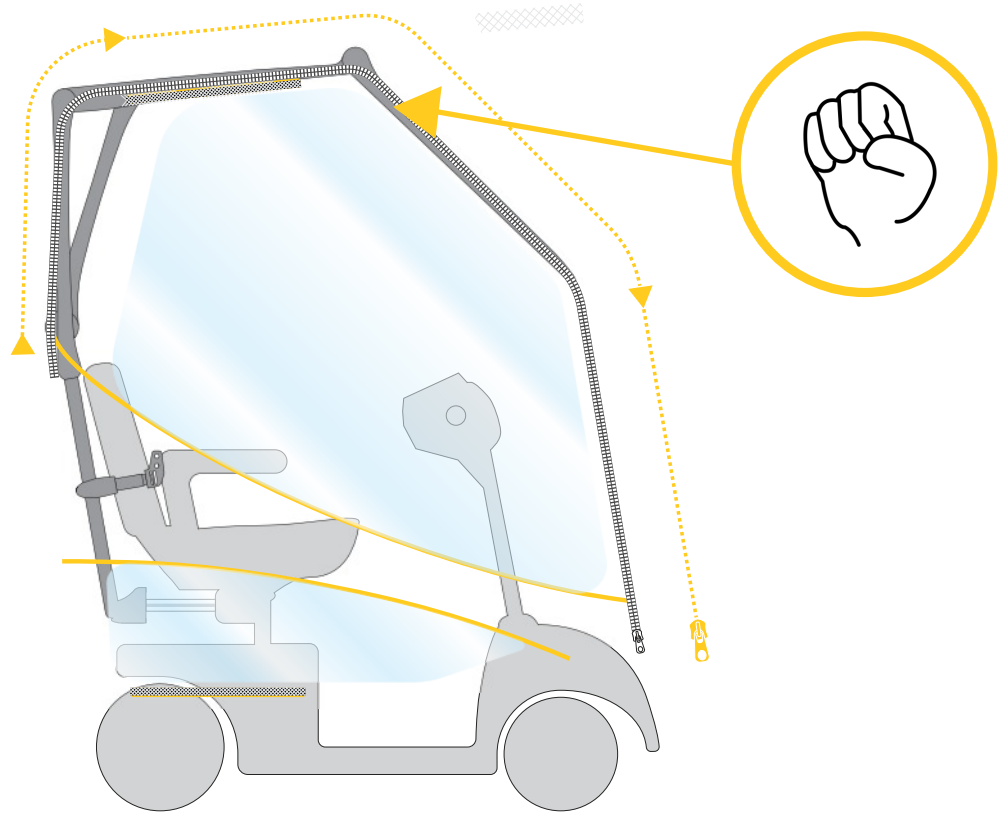


Tip: If there isn't a suitable front bumper use velcro to secure the canopy to the front

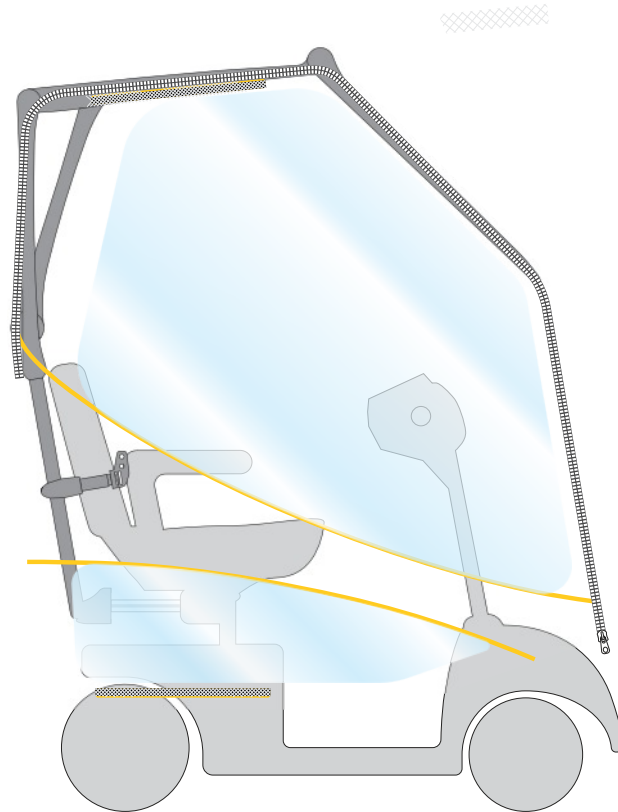
The side protection panels can now be unfolded from the rear.



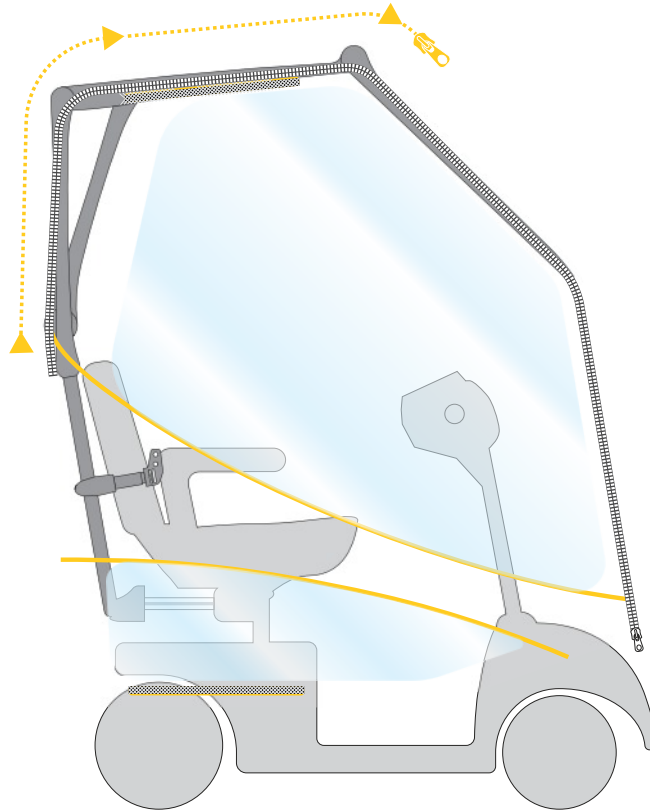
While holding the top corner of the side panel pull the zip around to the front of the scooter. Repeat to both sides.



The canopy is now ready for use. To access the scooter simply un-do the zip from the bottom of the canopy.

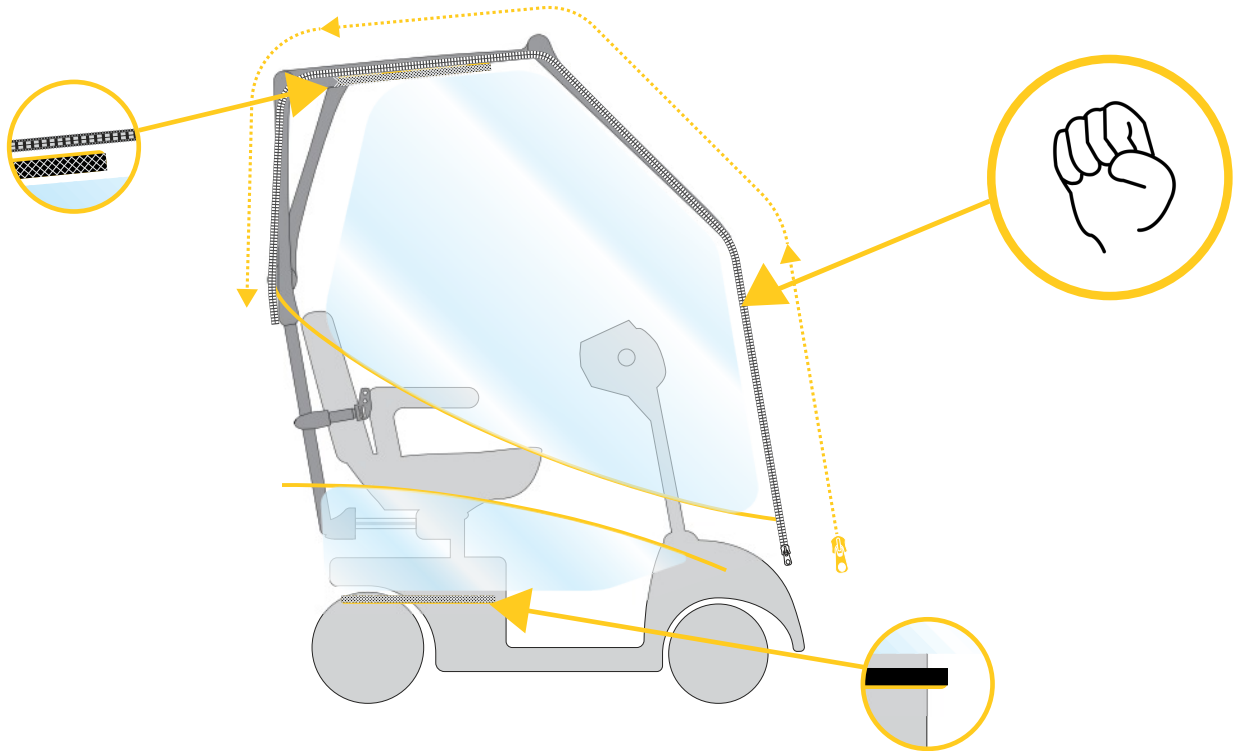


To open the canopy slightly for ventilation or at traffic crossings, simply unzip the side from the rear of the canopy.

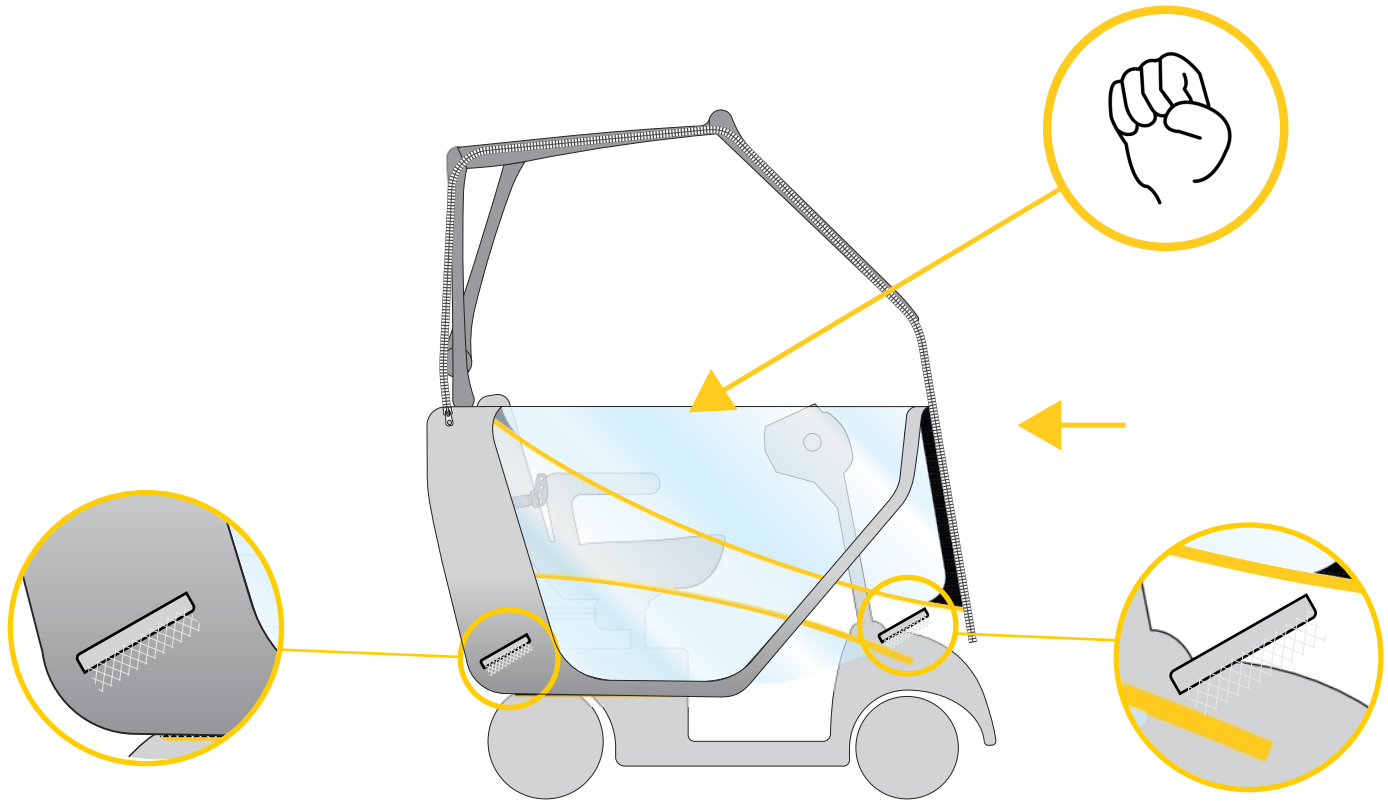


Easiest way to fold your canopy away.

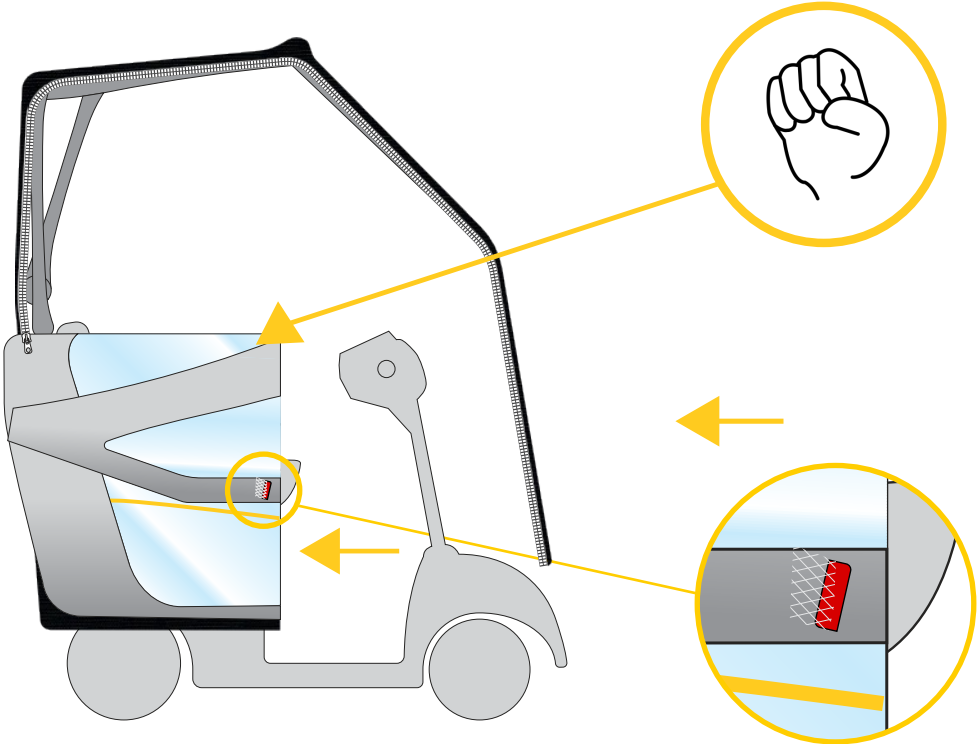
The first step is to unzip the canopy from the bottom, holding it in the middle. This makes the next step easy which is to match the yellow velcro at the top of the side panel to the bottom of the side panel



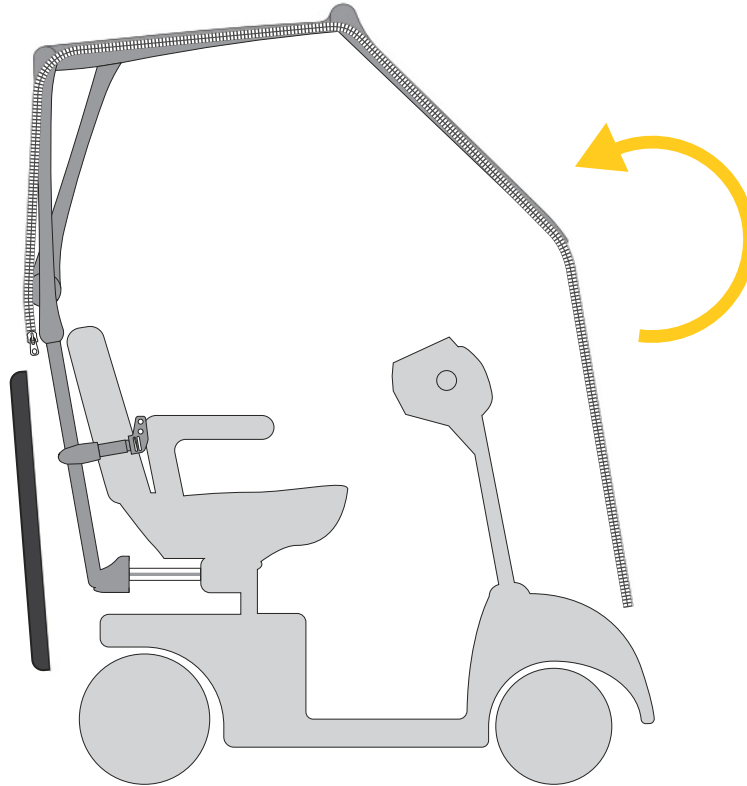
Next fold the side panel to match the grey velcro up.



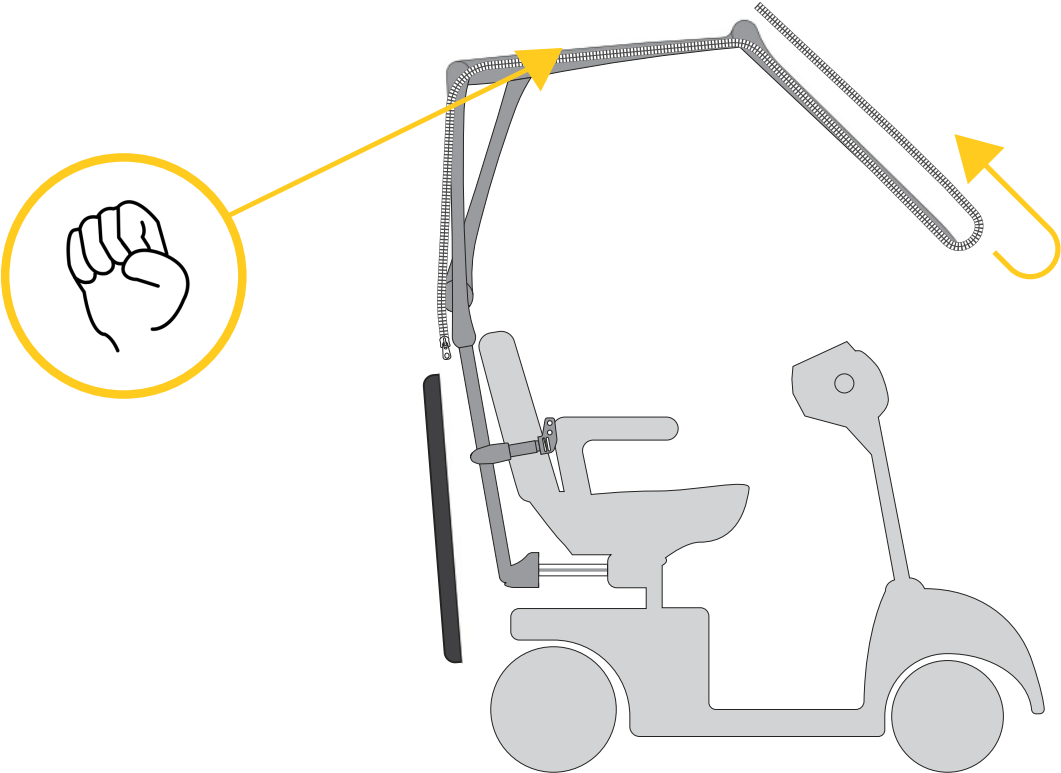
Now fold the panel red velcro to red velcro, around to the rear of the frame. Repeat for both sides.



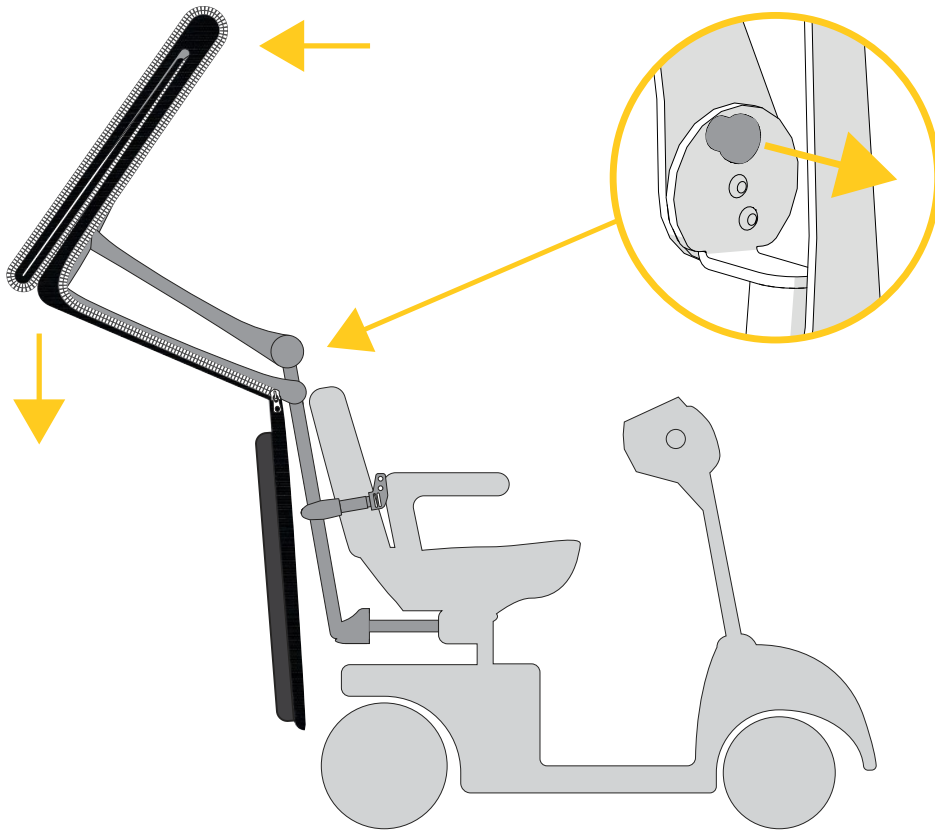
Next undo the securing strap at the front and fold up the front protective panel and stick the velcro to the top of the windscreen.



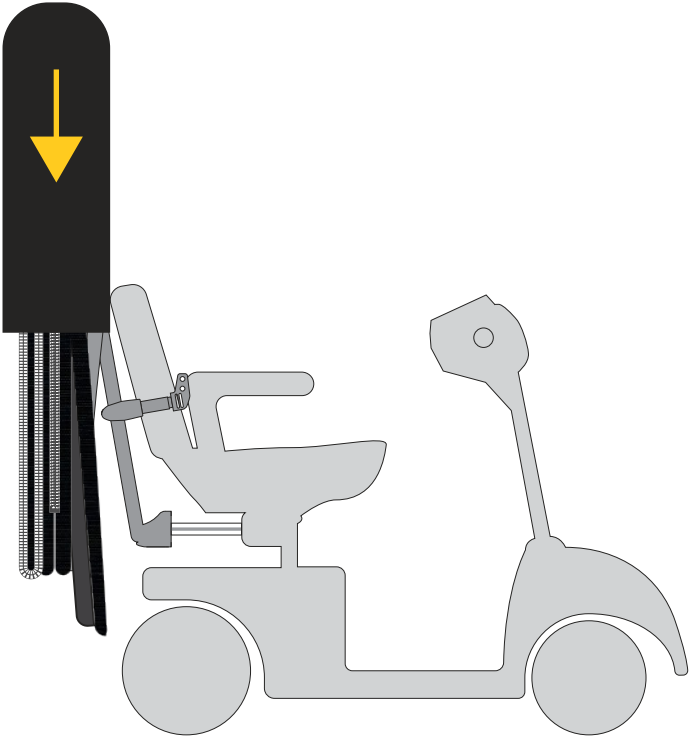
Then fold the windscreen up onto the roof section, while holding the roof down with the other hand - be sure to mind your fingers!



Now release the plunger and fold the frame down to the rear of the scoter



Lastly slide the bag over the canopy.






## How to clean your ScooterPac

The ScooterPac canopy material is a specialist mildew resistant fabric, which is waterproof too, however all this can't stop the usual deposits finding their way onto it!

We recommend cleaning your canopy with a weak mixture of fairy liquid and water, and a sponge. **DO NOT USE BLEACH.**

Leave the canopy fully opened out in a well ventilated place to dry before using again.

 Tip: To repel water and dirt from your windscreen use Rain X from Halfords

dealer stamp



Lifestyle mobility products

**ScooterPac** 1 Carlton Road Lowestoft NR33 0RU

**tel** 0330 124 1733

**email** [info@scooterpac.com](mailto:info@scooterpac.com)